

Performax IQ Easy

High performance combined with optimal control. This is the new standard for anti-static bars.

In combination with the Manager IQ Easy the Performax IQ Easy anti-static bar will ensure a very high efficiency of static neutralisation. Through the Manager IQ Easy it can be set up as a pro-active static neutraliser using the patented Up-stream static charge evaluation technique. Adding a Sensor IQ Easy to the system enhances the efficiency by measuring the downstream residual static charge and regulating the ionisation efficiency in real time to ensure a very low residual static charge.

The fiberglass reinforced profile offers a very rugged structure even up to 5 metres in length. The Performax IQ Easy has an integrated high voltage power supply and requires only a low voltage input of 24V DC. It is equipped with a standard M12 connector for the 24V DC input. Two 3 colour high brightness LED visualises bar ON (green), WARNING (orange) or bar ALARM (red).

The Performax IQ Easy bar has light slanted ends and protection classification IP66 which allows easy cleaning. Universal mounting brackets are supplied for various mounting options.

Performax IQ Easy anti-static bars are available in two variations:

- Standard, for all applications with a working distance between 100 and 500 mm
- Speed, for high speed applications. Working distance 50 to 500 mm

Possibility to connect to the IQ Easy platform

It is possible to connect Performax IQ Easy anti-static bars to the IQ Easy platform, this provides the following benefits for you and your end customers:

With the IQ Easy system, you will get the **lowest possible residual static charge at the end of your production process.**

Production failures and production stops will be reduced.

Quality assurance: you can **find back all data and action logs.**

An advantage of the IQ devices instead of the classic static devices is that you will get a warning when there is something wrong with a device so that you can intervene on time. The warnings and alarms will give you the change to plan the maintenance or replacing of equipment before full break down. So **no surprise machine stops due to defective static control equipment anymore!**

The IQ Easy system will provide optimum settings for the devices to **ensure maximum neutralisation efficiency**

4 years warranty on all 24V products

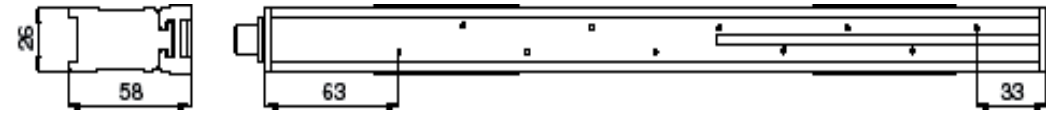


Features

- Incorporated high voltage power supply, input voltage 24V DC
- Efficiency indication
- Cleaning indication
- Pro-active neutralisation
- Standard M12 connector, straight or angled
- Rugged glassfiber reinforced plastic extrusion
- Designed for industrial use and easy cleaning; (protection classification IP66)
- Universal mounting brackets

Technical specifications

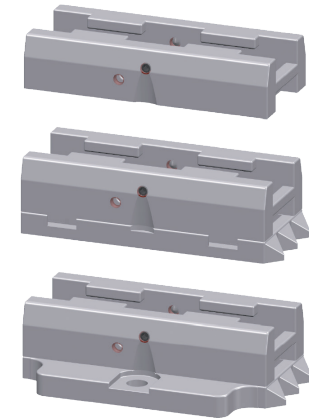
Working distance	Performax IQ Easy: 100-500 mm Performax IQ Easy speed: 50-500 mm
Housing material	Glassfiber reinforced plastic
Emitter pins	Special alloy
Cable	Low voltage cable
Connector	Standard M12
Weight	1,25 kg/m
Ambient temperature	0-55 °C
Use circumstances	Industrial
U primary	24 V DC, <0,5 A
Protection classification	IP66
Suitable power unit	Intergrated, 24V DC voltage input
Indication	Hight bright LED green/orange/red
Signalling	Continiou Flashing Green In Operating Standby Orange Warning Red Alarm
IO signals	Serial communication with the Manager IQ Easy Power via Manager IQ Easy
Options	Stand alone operation Desktop power supply (100-240 V/ 24 V) Din rail power supply (100-240 V/ 24 V)



Technical drawing Performax IQ Easy



Separate connector, straight or angled



Universal mounting brackets

Soluciones Electrostaticas, S.L.

info@electrostatica.com
www.electrostatica.com
T. 93 208 09 54