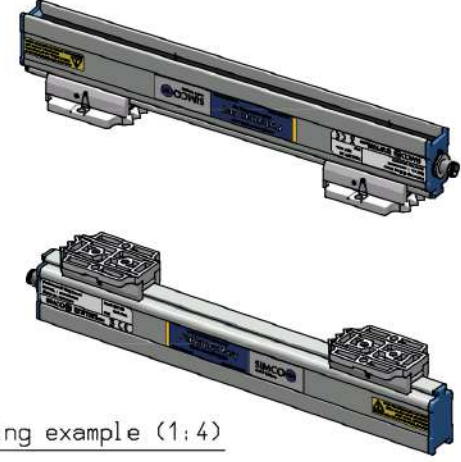
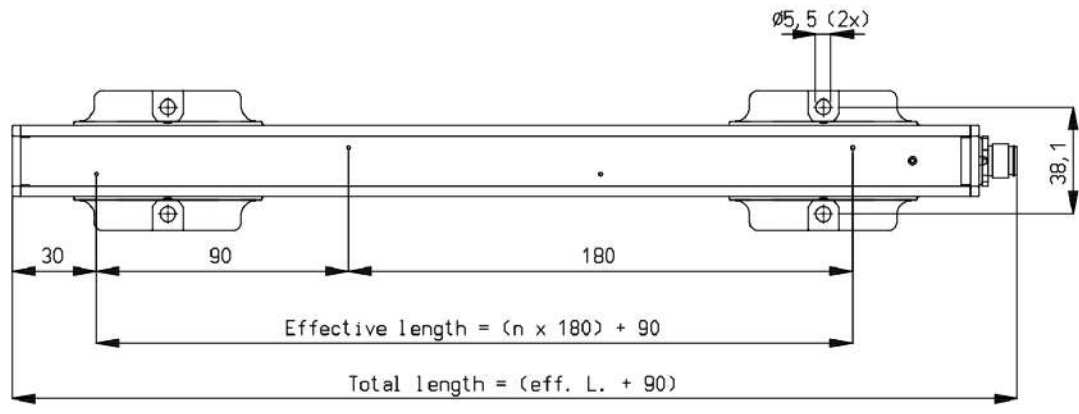
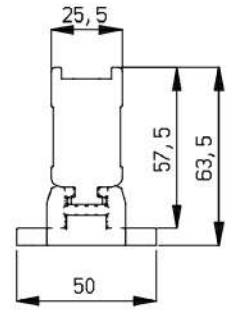
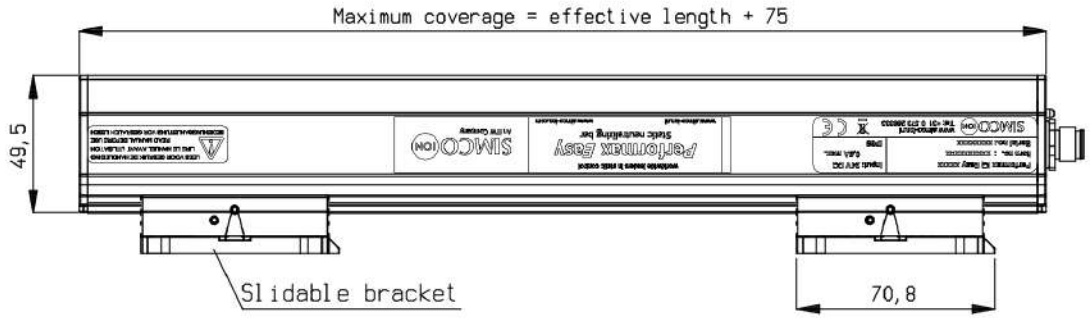
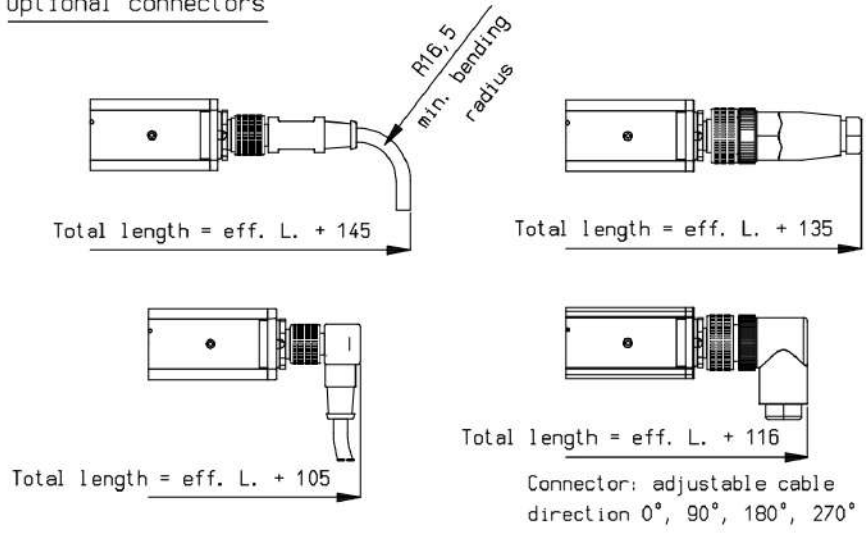


Brackets	
Tot. length	QTY
360 - 900	2
1080 - 1980	3
2160 - 2880	4
3060 - 3960	5
4140 - 4860	6



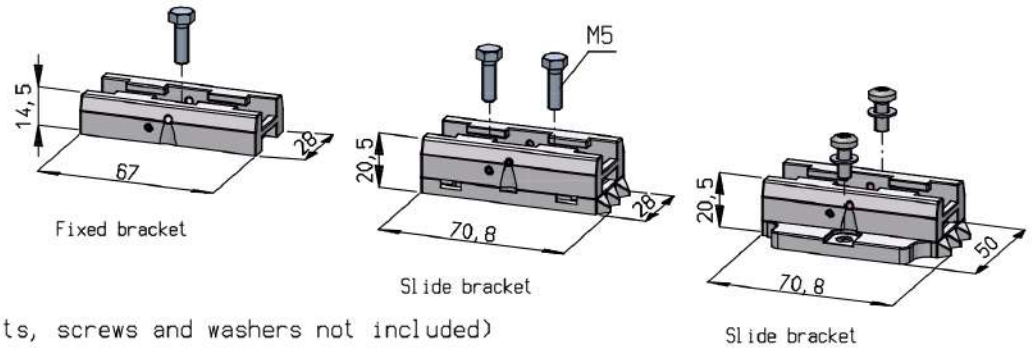
Mounting example (1:4)

Optional connectors



Mounting bracket bars - options

Part no. 4532000100



(M5 bolts, screws and washers not included)



Name: Performax IQ Easy
 CAD generated NOT updated Dimensions in mm Date: 15-11-2013 A3 M: 1:2

Drawn: AB Part no.: 153101xxxx
 ECN-2017-006 Check: - Dwg. no.: 15310010/C