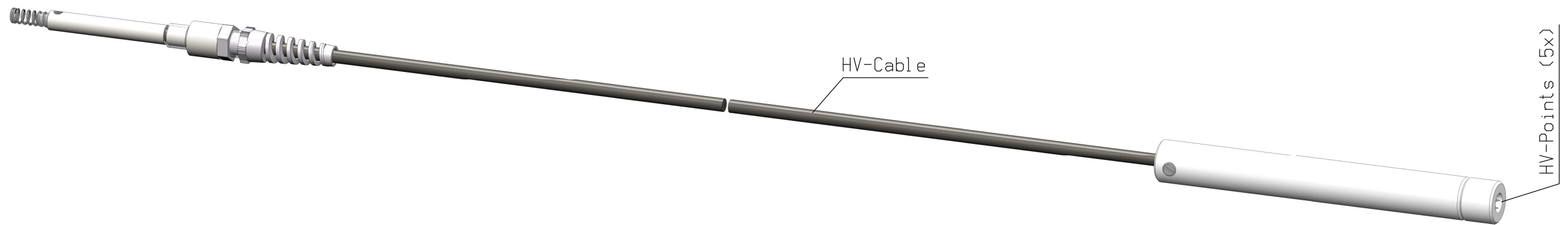
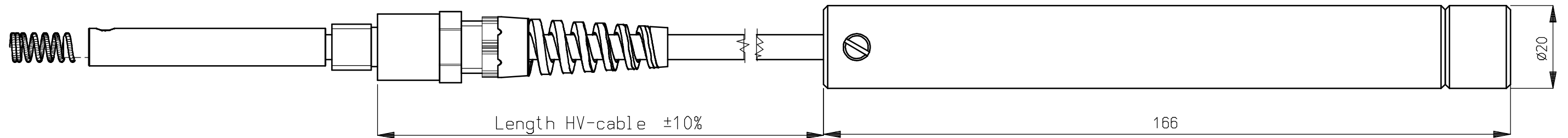
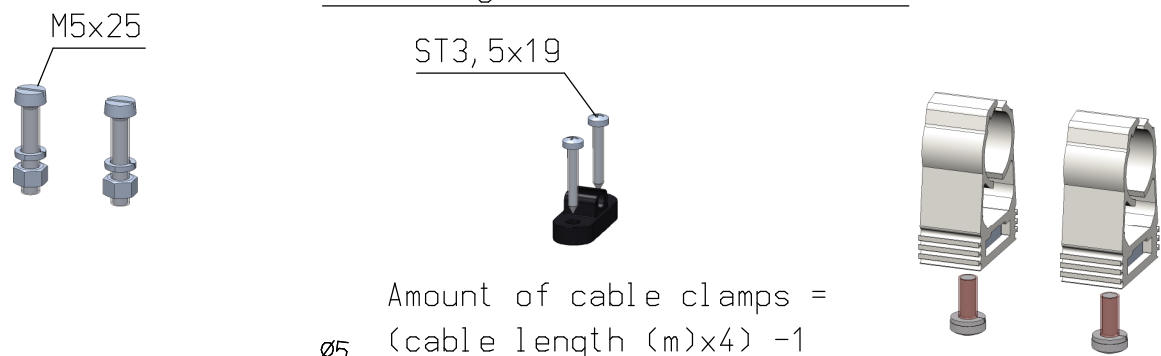


Length HV-cable 3 meters item no. 0927053003
 Length HV-cable 6 meters item no. 0927053006
 Length HV-cable 9 meters item no. 0927053009

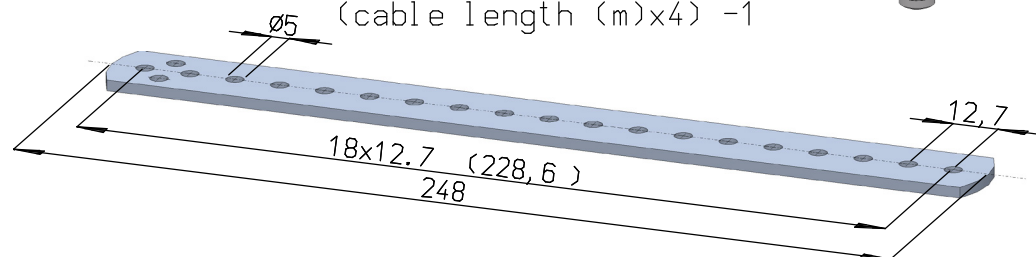


3D View 1:2

Mounting materials included



Amount of cable clamps =
 (cable length (m) x 4) - 1



Supply voltage max. 30 kV DC

soluciones electrostáticas

SIMCO ION
 An ITW Company
 www.simco-ion.nl Tel: +31 (0)573 288333

Name: Charging electrode Pinner 5-point

Drawn: AB

Part no.: -

CAD generated NOT updated

Dimensions in mm

Date: 9-5-2023

A3 M: 1:1

ECN-335

Check: -

Dwg. no.: 09270051/H