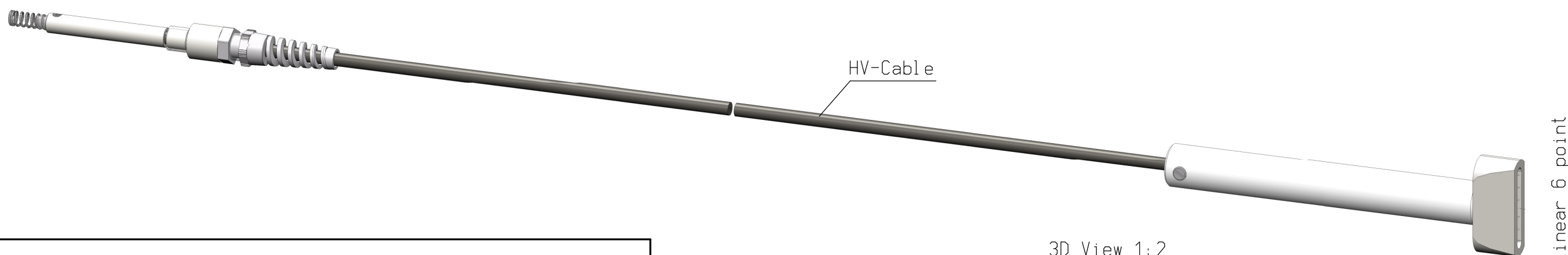
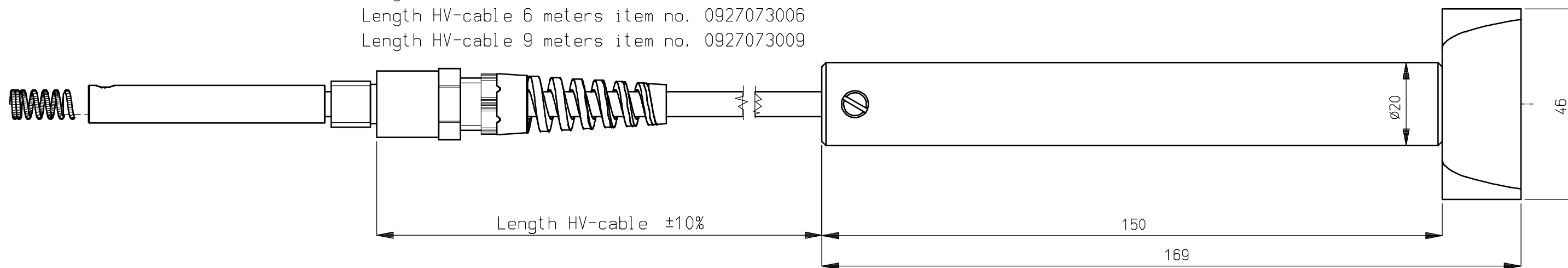


Length HV-cable 3 meters item no. 0927073003
 Length HV-cable 6 meters item no. 0927073006
 Length HV-cable 9 meters item no. 0927073009

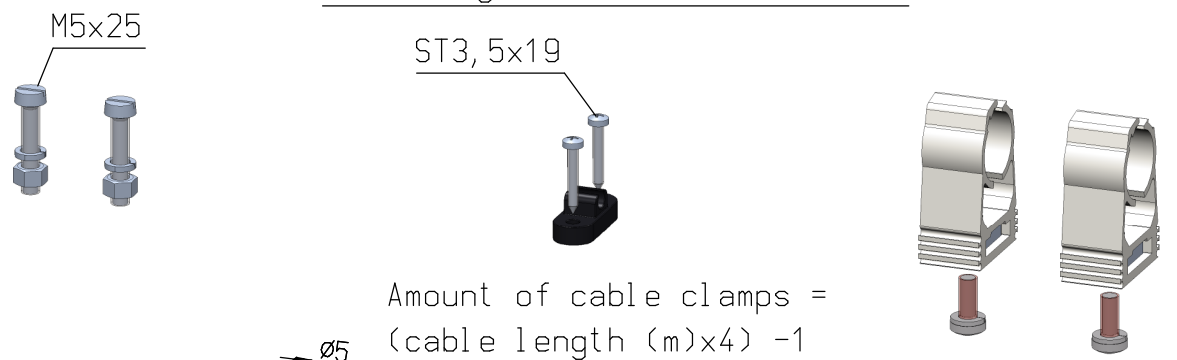


Linear 6 point

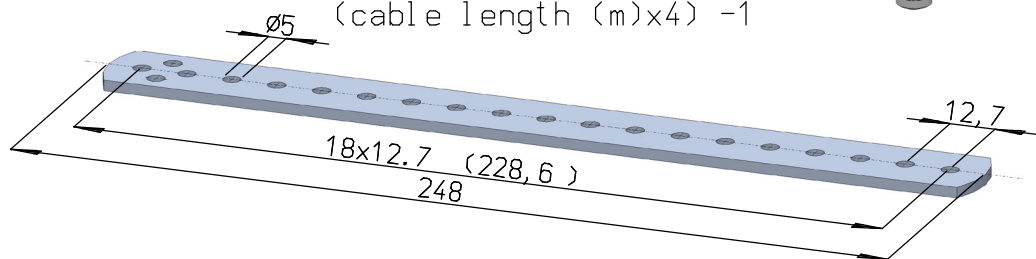
Detail head

Supply voltage max. 30 kV DC

Mounting materials included



Amount of cable clamps =
 (cable length (m) x 4) - 1



soluciones electrostáticas

SIMCO ION An ITW Company		Name: Charging electrode Pinner Linear 6 point			Drawn: AB	Part no.: -
www.simco-ion.nl	Tel: +31 (0)573 288333	CAD generated NOT updated	Dimensions in mm	Date: 9-5-2023	A3 M: 1:1	ECN-335
					Check: -	Dwg. no.: 09270070/F