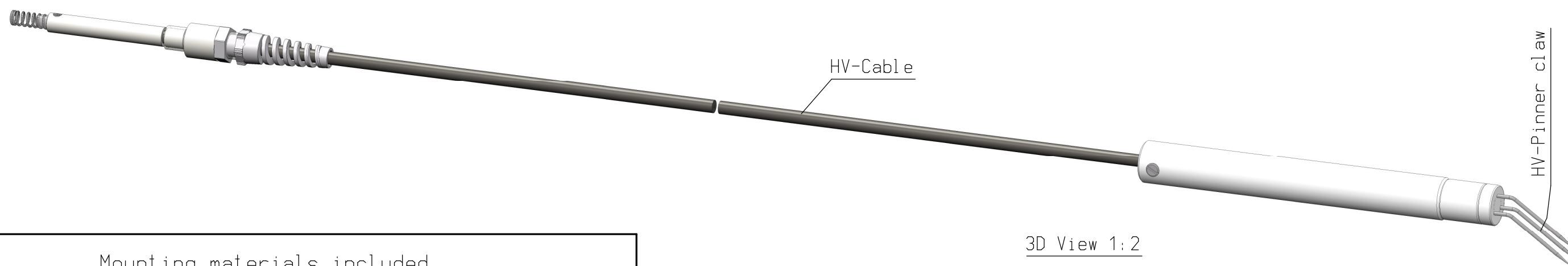
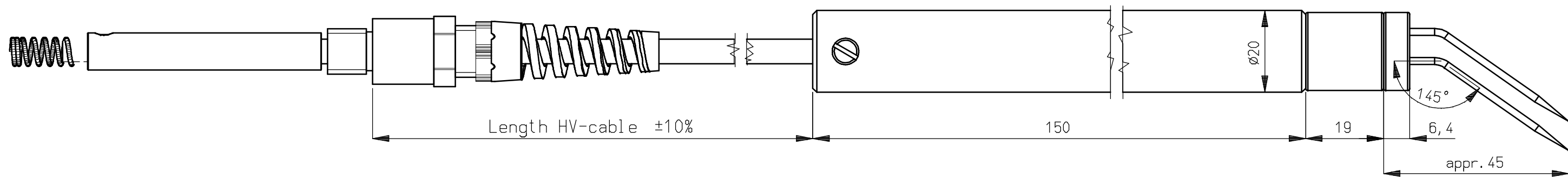
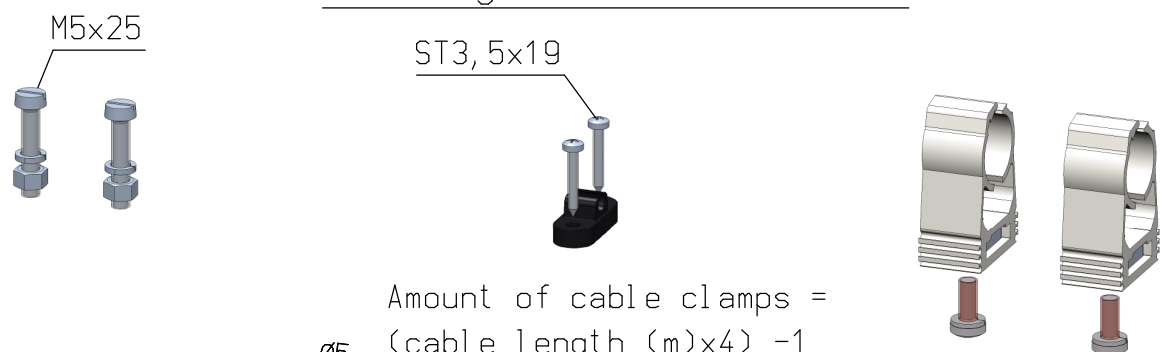


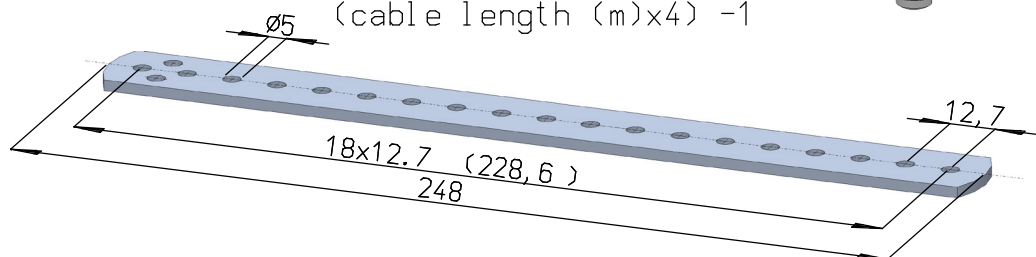
Length HV-cable 3 meters item no. 0927063003
 Length HV-cable 6 meters item no. 0927063006



Mounting materials included



Amount of cable clamps =
 (cable length (m) x 4) - 1



Supply voltage max. 30 kV DC

soluciones electrostáticas

| | | | | | | |
|------------------------------------|------------------------|---|---------------------|----------------|-----------|-----------------------------|
| SIMCO ION An ITW Company | | Name: Charging electrode Pinner Claw | | | Drawn: AB | Part no.: — |
| www.simco-ion.nl | Tel: +31 (0)573 288333 | CAD generated NOT updated | Dimensions in mm | Date: 9-5-2023 | A3 M: 1:1 | ECN-335 |
| | | | | | Check: - | Dwg. no.: 09270061/H |